



FullViewDoorCompany.com

# Owner's Manual

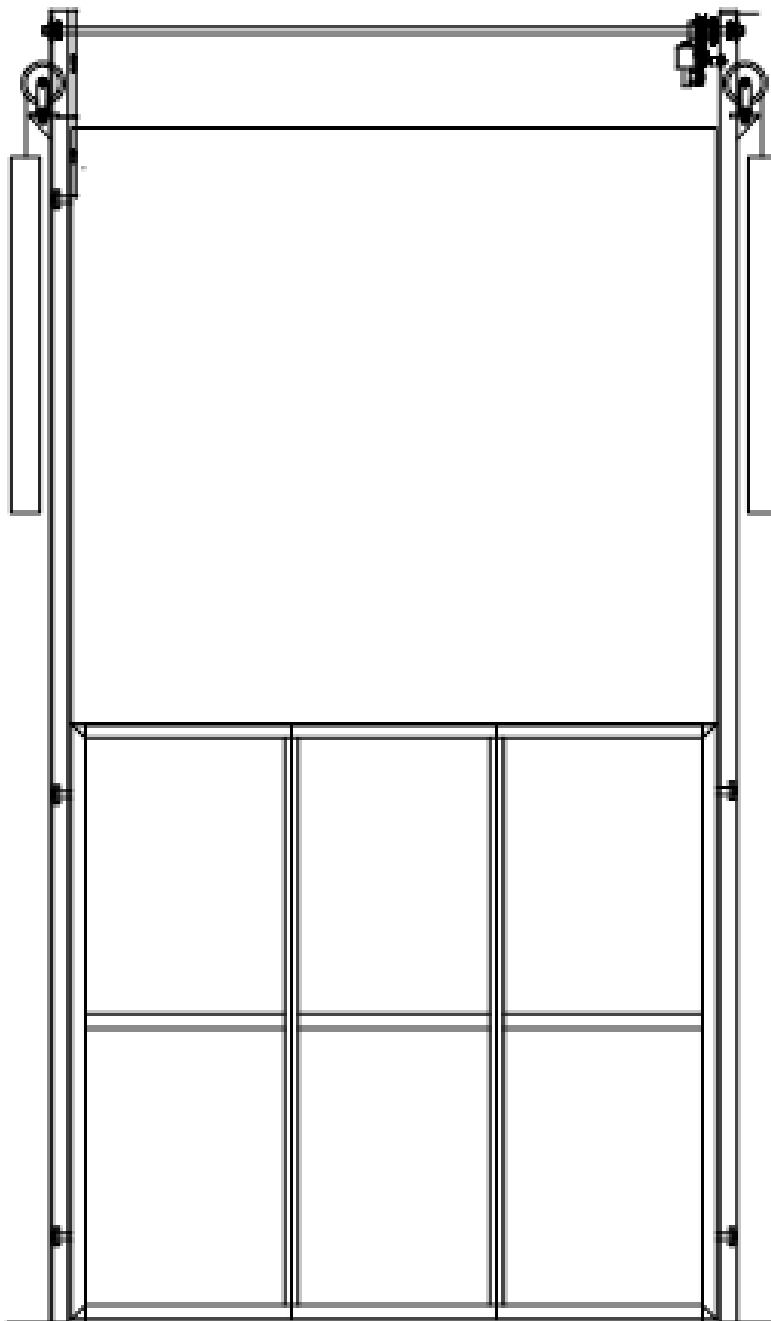


## AVALON VERTICAL SLIDE

# OWNER'S MANUAL AVALON

Congratulations on your purchase of a new Full View Company door.

We have specially engineered your door for your design, and we are confident that your robust, sleek Full View Door will provide you with many years of enjoyment. We pride ourselves in satisfying customers, so please contact us if you are not satisfied with your door so that we can do everything to make it right.



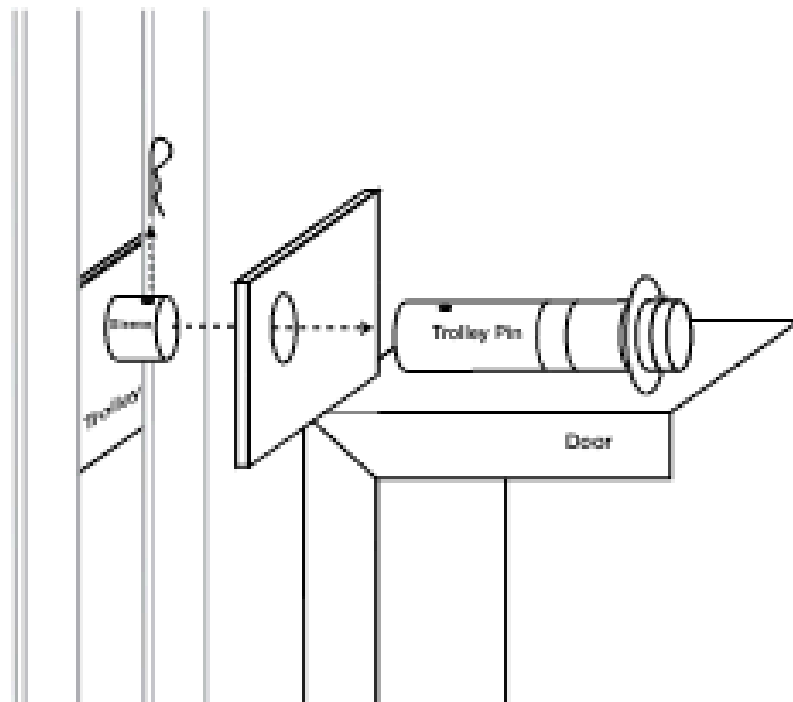
# OPERATING YOUR DOOR

## Operating a Motorized Door

Unlock the shoot bolt at the bottom of the door.

The installer will give you a remote control or mount a control unit on your wall. Consult the user manual for your motor to understand how to use your control device.

To operate your door manually, you need to disconnect the door from the trolley by disconnecting the door's cam pin from the sleeve on the trolley. (See the illustration to the right.) The next section explains how to manually open your door.



## Operating a Manual Door

Unlock the shoot bolt at the bottom of the door.

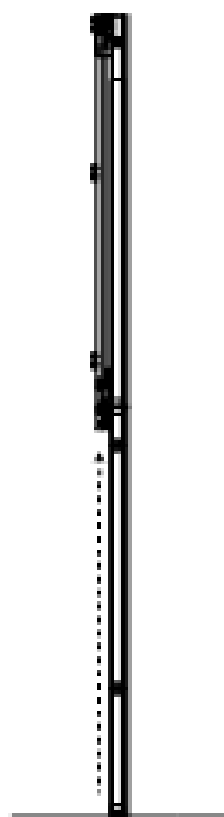
Open your door manually by lifting the bottom and slowly guiding it upward until it gently rests in its open position. (See the illustration on the bottom right.) Be careful not to allow the door to slam open or shut because that will eventually cause damage to the door, possibly making it dangerous to use.

Close the door by gently pulling the bottom down until the door closes fully.

## Safety Features for Motorized Doors:

**Photo Beam-** The installer will place sensors that project a photo beam across the inside of the doorway six inches from the ground. These sensors communicate with the motor while the door is closing so that if anything breaks the beam, the motor will automatically return the door to fully open.

**Obstruction Sensing-** Each motor will memorize the amount of force necessary to close the door so that it can read interference with the door's movement and return the door to fully open if the door encounters something while it's closing.



# CARING FOR YOUR DOOR

## **Regular Cleaning**

Follow these steps to clean the powder coating on your door's steel members. If your door has cladding on either side, consult the manufacturer of the cladding to know how best to clean it.

1. Remove residues with a wet sponge.
2. Use a soft brush or a cloth and a mild household cleaner to clean the steel members of your door.
3. Rinse the door with clean water.

## **What not to do**

Do not use cleaners that require you to wear gloves because they could damage the powder coating; the damage may not appear for up to twelve months. Do not use nylon or steel wool scourers on the powder coating.

## **When you need a replacement**

Contact Full View Door if you need a replacement part on your door or if your door becomes difficult to operate. Never try to fix the door yourself. Visit [www.fullviewdoorcompany.com](http://www.fullviewdoorcompany.com) to find an authorized service technician in your area

# TROUBLE SHOOTING

## **The motor will not operate.**

1. Make sure nothing is blocking the door.
2. Make sure the motor and the backup battery are plugged in.
3. Check the batteries in the remote control.

## **The door will not stay closed.**

1. Refer to the motor's user manual for adjusting the stop limits.

## **The door will not stay open.**

1. Refer to the motor's user manual for adjusting the stop limits.

## **The door starts to close, but then it reverses.**

1. Ensure there are no obstacles in the door's path.
2. You may need a technician to examine your door, so visit [www.fullviewdoorcompany.com](http://www.fullviewdoorcompany.com) to find an authorized Full View Door Company technician in your area.

## **The remote control will not operate.**

1. Make sure the batteries are fresh.
2. Refer to the motor's user manual for programming the remote control.

# YEARLY CHECK UP

## Joint Lubrication:

Lubricate the areas noted in the diagram with a graphite-based lubricant every twelve months.

List of items to lubricate:

Support bracket (1 or more)

Sprockets (only on doors with motors, 4)

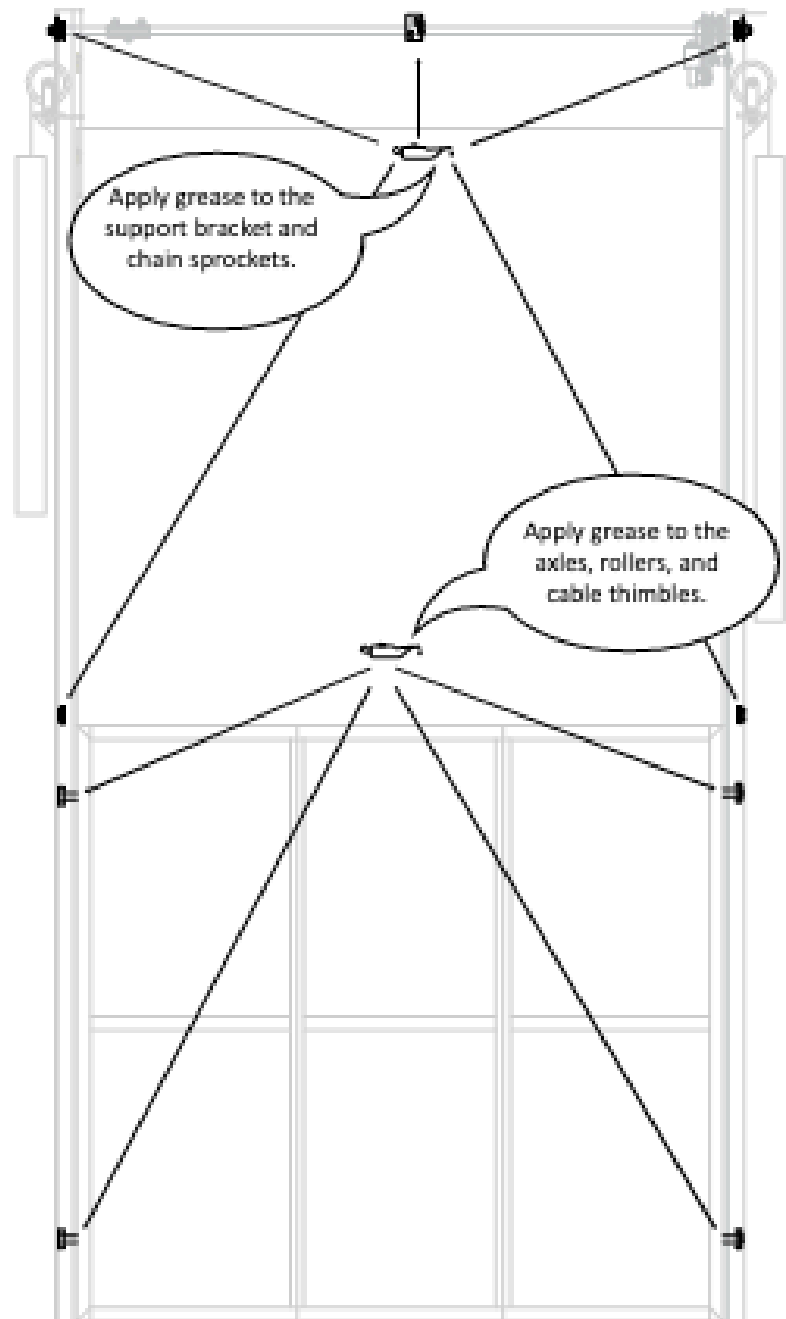
Cable thimbles and axles (4)

## Cable Inspection:

Inspect the cables every twelve months for frays or other damage by removing the counterweight covers and watching the cables while the door moves. Do not put your hand next to a cable while the door is moving. The dotted rectangles in the drawing show where the covers should be. Contact Renlita Doors immediately if you find any damage on a cable.

## Touch-up for the finish:

We provide a can of paint with the door in case at some time you need to refinish a spot on your door. To apply the paint, shake the can well, hold the nozzle 8 - 12 inches from the surface, and apply the paint in light coats to the blemished spot.



# WARRANTY INFORMATION

## Limited Warranty

Full View Door Company warrants to the original purchaser within one year from date of installation, if a product sold under this warranty proves to be defective in material or workmanship through normal use and service according to maintenance and operations instructions, as verified by inspection by persons authorized by Full View Door Company, Full View Door Company will replace or repair (at Full View Door Company's option) the defective product. In addition to general warranty, Full View Door Company warrants the steel frame against rust, in painted non-damaged condition for a period of two years from original purchase. This warranty does not apply to scratched, dented, damaged or corroded areas of the frame. Warranties do not cover damage due to: accident, casualty, vandalism, abuse, harmful fumes or foreign substance in the atmosphere, acts of God, fire, failure to provide reasonable control, nor shall these warranties extend to or cover any damages or claims with respect to any product that in any way or degree have been altered, processed, misused, or improperly handled or installed. Full View Door Company makes no other warranties, representations or covenants, expressed or implied with respect to this product, as to any matter whatsoever, including but not limited to warranties, representations or covenants as to workmanship, design, capacity, quality, condition, merchantability or fitness for any purpose of the product. Full View Door Company shall not be responsible for any incident or consequential damages arising out of the breach of this limited warranty, including but not limited to damage to buildings, other property, or other injuries or damages sustained by any persons whomsoever, or the recovery of any direct or indirect costs such as shipping, installation labor charges, paint or painting, or other building materials. These warranties give you specific legal rights and you may also have other rights, which vary from state to state. All claims under these warranties shall require proof of purchase and be addressed to Full View Door Company 121 Main St. Sacramento, CA 95838



866-890-1776 | [FullViewDoorCompany.com](http://FullViewDoorCompany.com)

Access product information, CAD drawings, BIM/Revit models, specifications, warranty information, and more...