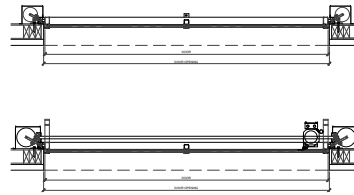




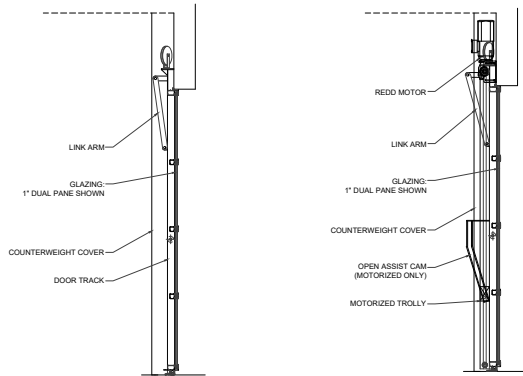
03 DOOR JAMB NON-MOTORIZED
SCALE: 1-1/2" = 1"



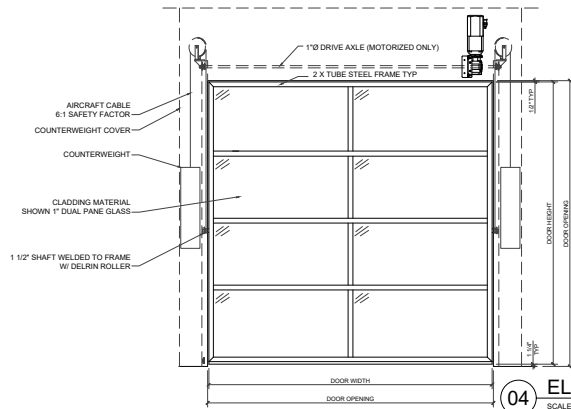
02 DOOR PLAN MOTORIZED & NON
SCALE: 1/2" = 1"



01 DOOR JAMB MOTORIZED
SCALE: 1-1/2" = 1"



04 ELEVATION & SECTIONS MOTORIZED & NON
SCALE: 1/2" = 1"

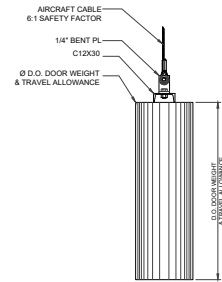


GLAZING OPTIONS:

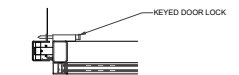
- 1/4" to 1" POLYCARBONATE
- 1/4" to 1" LAMINATED
- 1/4" to 1" TEMPERED
- 1" INSULATED

COLOR / FINISH OPTIONS:

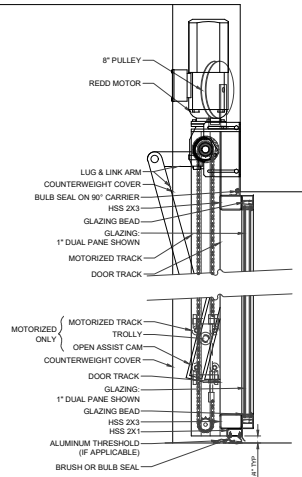
- CUSTOM COLOR MATCHING
- CUSTOM CLADDING
- POWDER COATING
- GALVANIZED



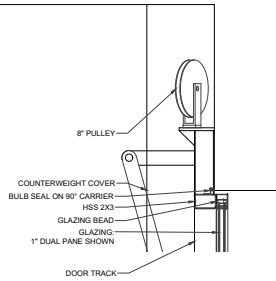
08 COUNTERWEIGHT TYP
SCALE: 1-1/2" = 1"



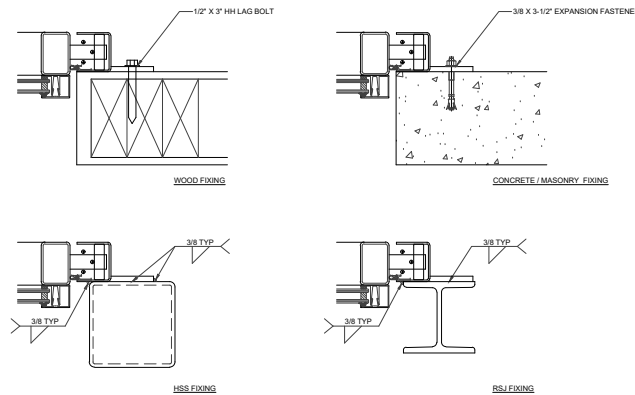
09 LOCK TYP (MANUAL ONLY)
SCALE: 1-1/2" = 1"



06 DOOR HEAD - SILL TYP
SCALE: 1-1/2" = 1"



05 DOOR HEAD NON MOTORIZED
SCALE: 1-1/2" = 1"



07 FIXING DETAILS TYP
SCALE: 3" = 1"

DISCLAIMER
THE DESIGNS AND DETAILS HEREIN ARE THE PROPERTY OF FULL VIEW DOOR COMPANY. USE IS GRANTED FOR THE SOLE PURPOSE OF INTEGRATION OF OUR PRODUCT INTO YOUR PROJECT. DRAWINGS ARE TYPICAL IN NATURE AND FOR REFERENCE ONLY, AND SHOULD BE REGARDED AS SUCH, DUE TO THE CUSTOM NATURE OF OUR PRODUCT SPECIFIC CONFIGURATIONS AND DIMENSIONS MAY VARY.

Full View Door Company

121 Main Ave.
Sacramento, CA 9538
Phone: 866-890-1776
www.fullviewdoorcompany.com*

Project:	CANDOPY - TILTUP
Client:	
Issue Date:	
Author/Rev.:	JDC
Drawing No.:	1K