



FullViewDoorCompany.com

REDD™ Motor



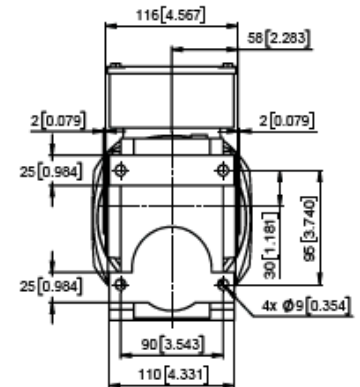
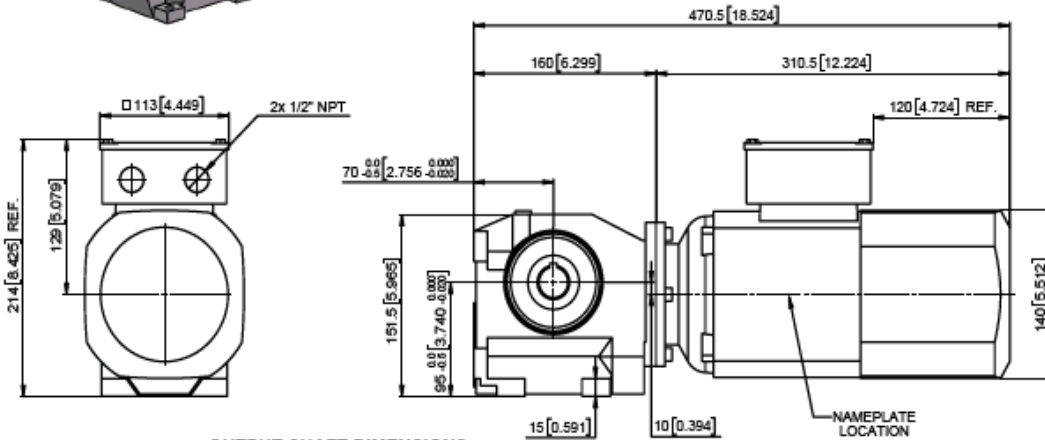
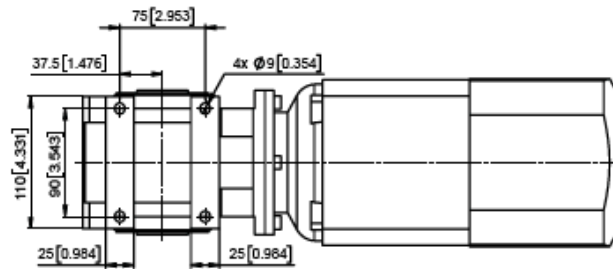
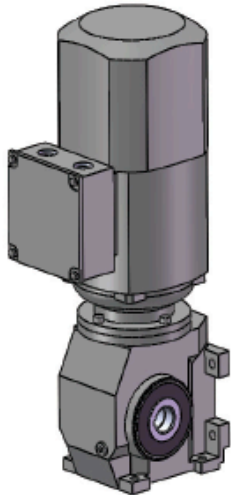
The REDD™ motor is a 1-horse power system designed for the needs of custom opening systems.

REDD™ is quiet, powerful and comes equipped with the highest safety standards in the market.

The REDD™ motor serves as a replacement for under performing, outdated motors of the past. REDD™ is programmable through a smart phone which makes installation and maintenance easy.

SPECIFICATIONS

Helical worm geared motor
 Output speed: 43 rpm
 Torque: 1200lb.in.
 Gear coefficient: 1.10
 Ratio: 39.36
 Hollow shaft with keyway $\varnothing 1$ in
 Lubricant: 0.85 L CLP VG680 Mineraloil
 Nominal power: 1.0HP S3-60%
 Motor speed: 1690 rpm
 cos ϕ : 0.68
 Insulation class: 155
 Protection standard: IP54
 Paint: normal, RAL9005 black Weight:
 ~20 kg (45 lbs)



OUTPUT SHAFT DIMENSIONS

