

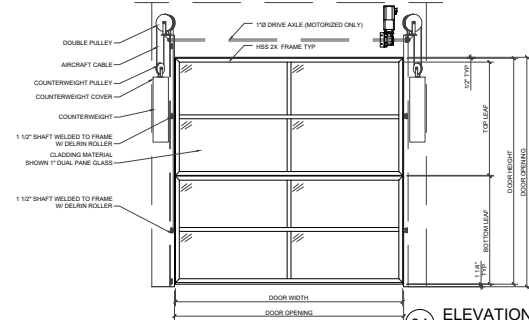
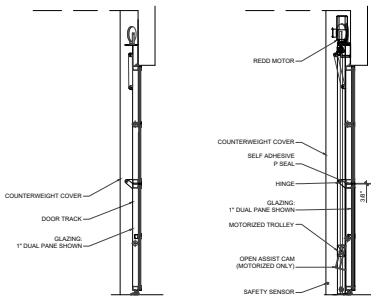
03 DOOR JAMB NON-MOTORIZED
SCALE: 1-1/2" = 1'



02 DOOR PLAN MOTORIZED & NON
SCALE: 1/2" = 1'



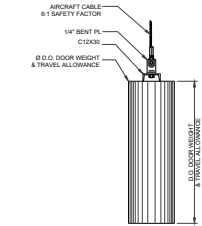
01 DOOR JAMB MOTORIZED
SCALE: 1-1/2" = 1'



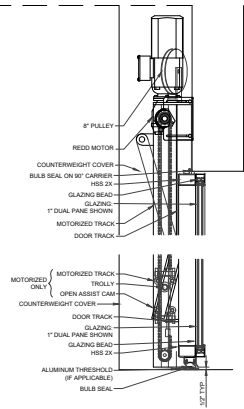
04 ELEVATION & SECTIONS MOTORIZED & NON
SCALE: 1/2" = 1'

GLAZING OPTIONS:
1/4\"

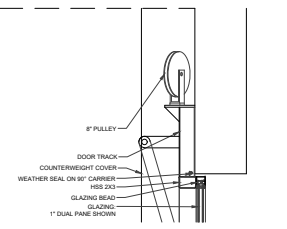
COLOR / FINISH OPTIONS:
CUSTOM COLOR MATCHING
CUSTOM CLADDING
POWDER COATING
GALVANIZED



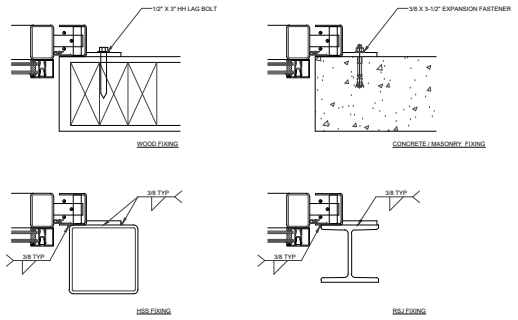
08 COUNTERWEIGHT TYP
SCALE: 1-1/2\"



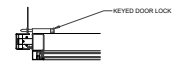
06 DOOR HEAD - SILL TYP
SCALE: 1-1/2\"



05 DOOR HEAD NON MOTORIZED
SCALE: 1-1/2\"



07 FIXING DETAILS TYP
SCALE: 3\"



09 LOCK TYP (MANUAL ONLY)
SCALE: 1-1/2\"

DISCLAIMER:
THE DESIGNS AND DETAILS HEREIN ARE THE PROPERTY OF FULL VIEW DOOR COMPANY. USE IS LIMITED FOR THE SPECIFIC PURPOSES OF THE PROJECT AND OUR PRODUCTS. ANY OTHER PROJECT DRAWINGS ARE TYPICAL IN NATURE AND FOR REFERENCE ONLY, AND SHOULD BE RE-DESIGNED AS SUCH, DUE TO THE CUSTOM NATURE OF OUR PRODUCTS, SPECIFIC CONFIGURATIONS AND DIMENSIONS MAY VARY.

FULL VIEW DOOR COMPANY
121 Main Ave.
Bakersfield, CA 93318
Phone: 805-895-1778
www.fullviewdoorcompany.com

3K